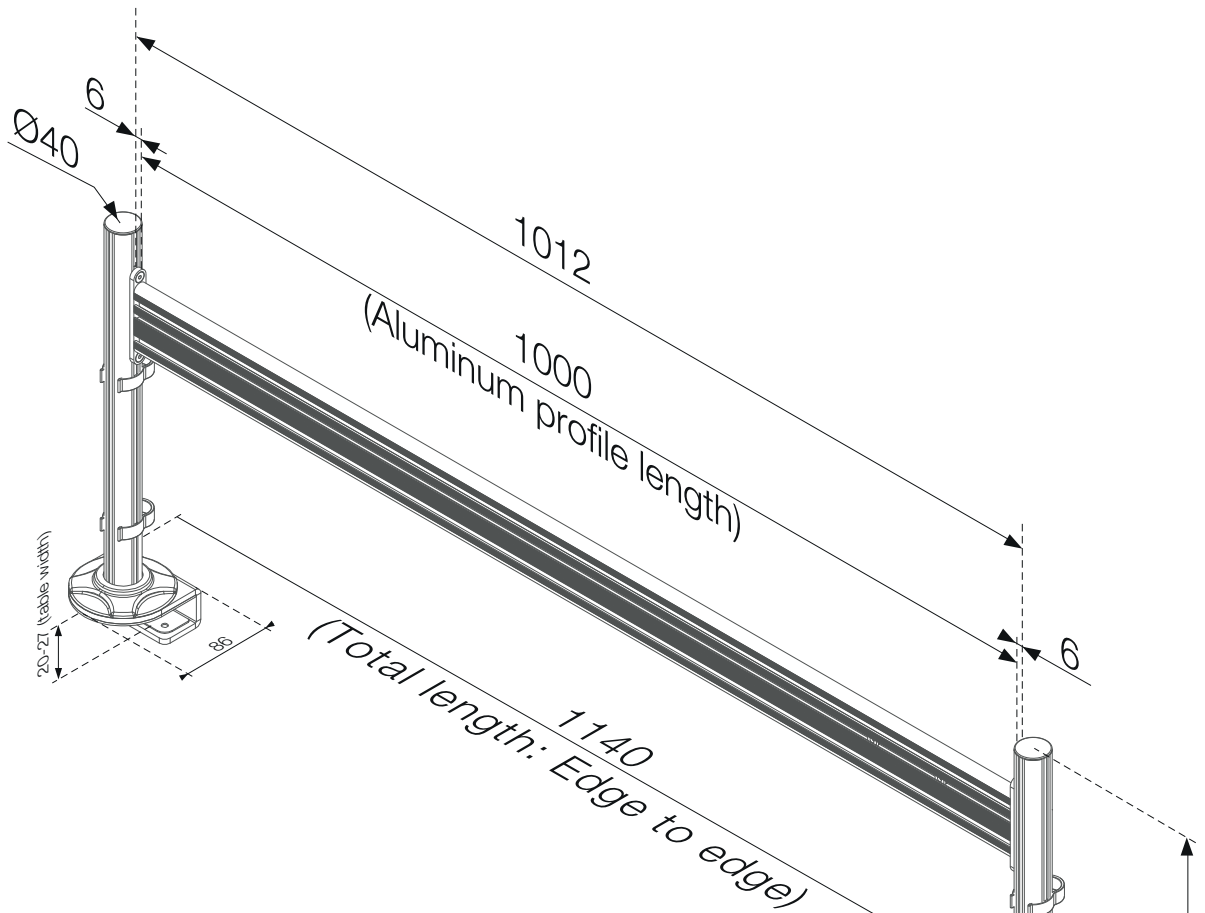


436-FXKIT1

# Toolbar System, with one toolbar kit (1000 mm), incl. twin pole kit (420 mm)

## Oriented view



## Side view (Aluminum profile)

