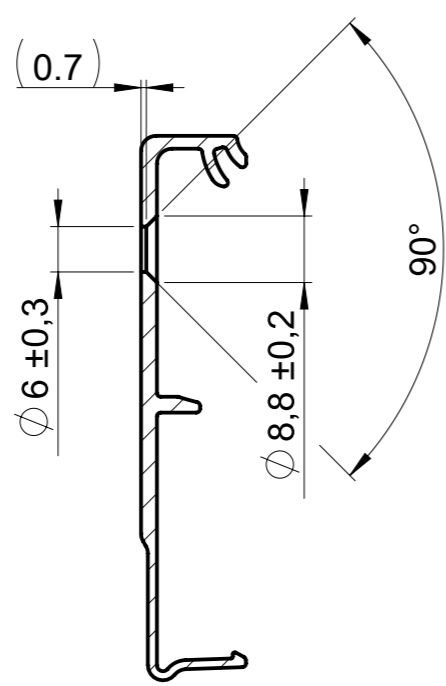
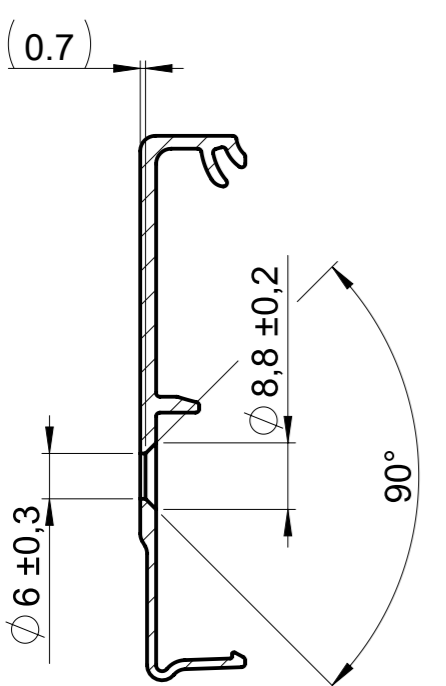
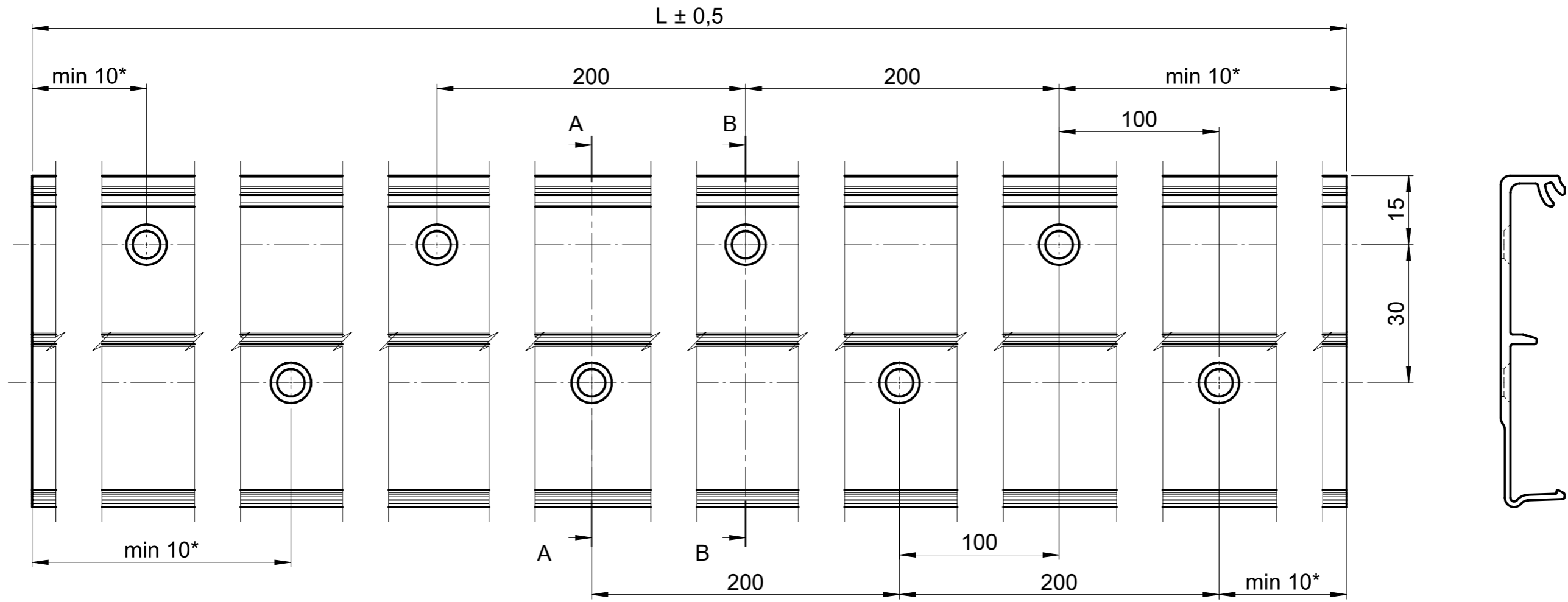


Copying of this document, and giving it to others and the use or communication of the contents thereof, are forbidden without express authority. Offenders are liable to the payment of damages. All rights are reserved in the event of the grant of a patent or the registration of a utility model or design.



ADDITIONAL INFORMATION:
ISO 2768-m
L = According to ordered length

NOTE! INSTRUCTIONS BELOW, UNLESS SPECIFIED IN DRAWING:
 ALL DIMENSIONS IN MILLIMETERS.
 TOLERANCES: $\pm 0,1$ MM
 $\pm 0,01$ MM
 $\pm 0,005$ MM
 ± 1 DEGREES

THREAD TOLERANCE GRADE: MEDIUM
 FEMALE/INTERNAL: 6H
 MALE/EXTERNAL: 6g



TITLE / IDENTIFICATION
Conceptum M Profile Mounting (Hole spacing)

ARTICLE NUMBER / REFERENCE
 436-MX095, 436-MX115, 436-MX135, 436-MX155, 436-MX175, 436-MX195

MATERIAL	ANODIZED ALUMINUM	SURFACE TREATMENT	According to order
SCALE	#A3 1.000	WEIGHT (KG)	
DATE (YYYY-MM-DD)	2017-05-03	REV. DATE (YYYY-MM-DD)	2019-06-24
REVISION	G	SHEET	1/1
		DRAWING NUMBER	KON17183-01