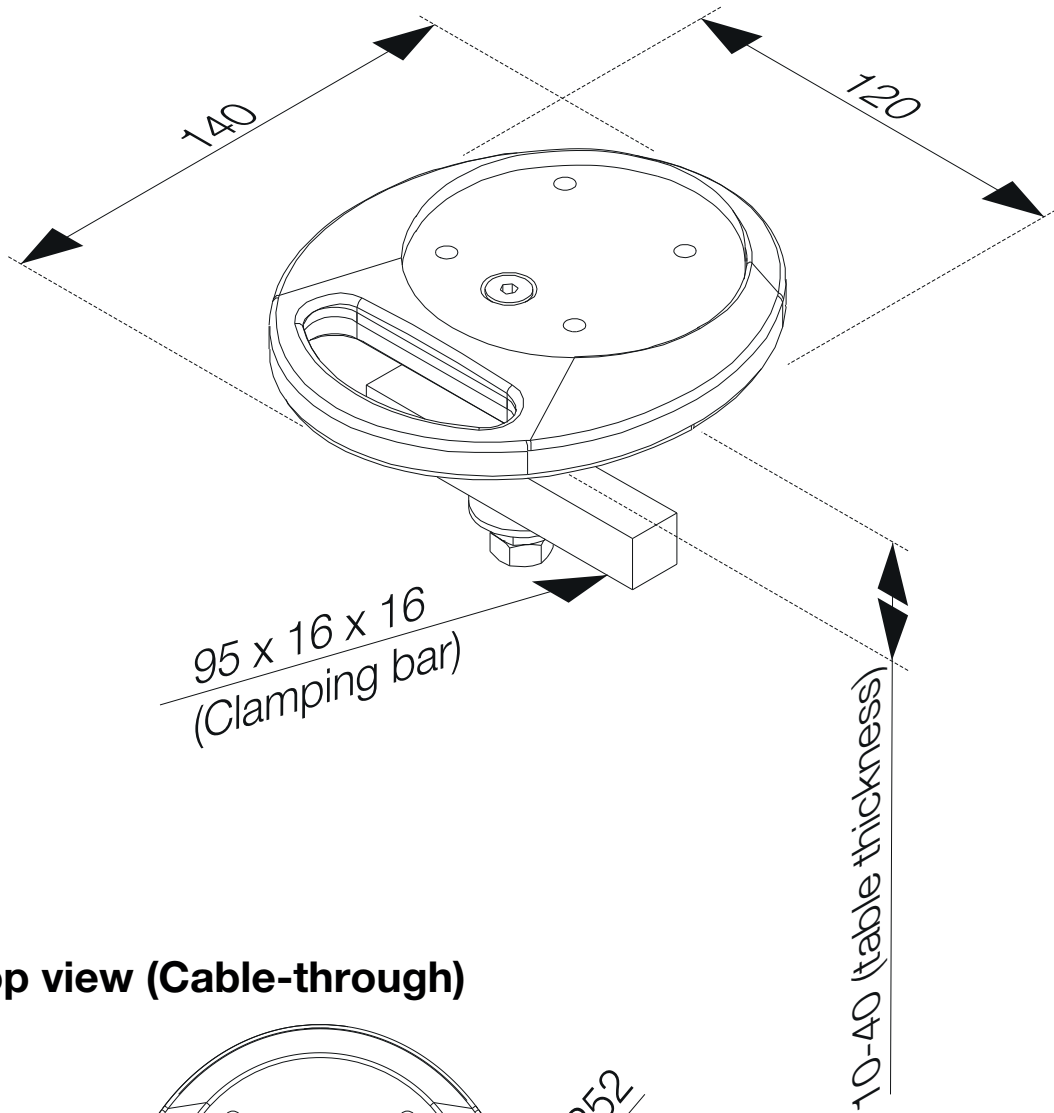


- 438-502A
- 438-502AW
- 438-502AB

Grommet Mounting Kit for installation in $\text{Ø}20\text{-}60$ mm holes

Oriented View



Top view (Cable-through)

