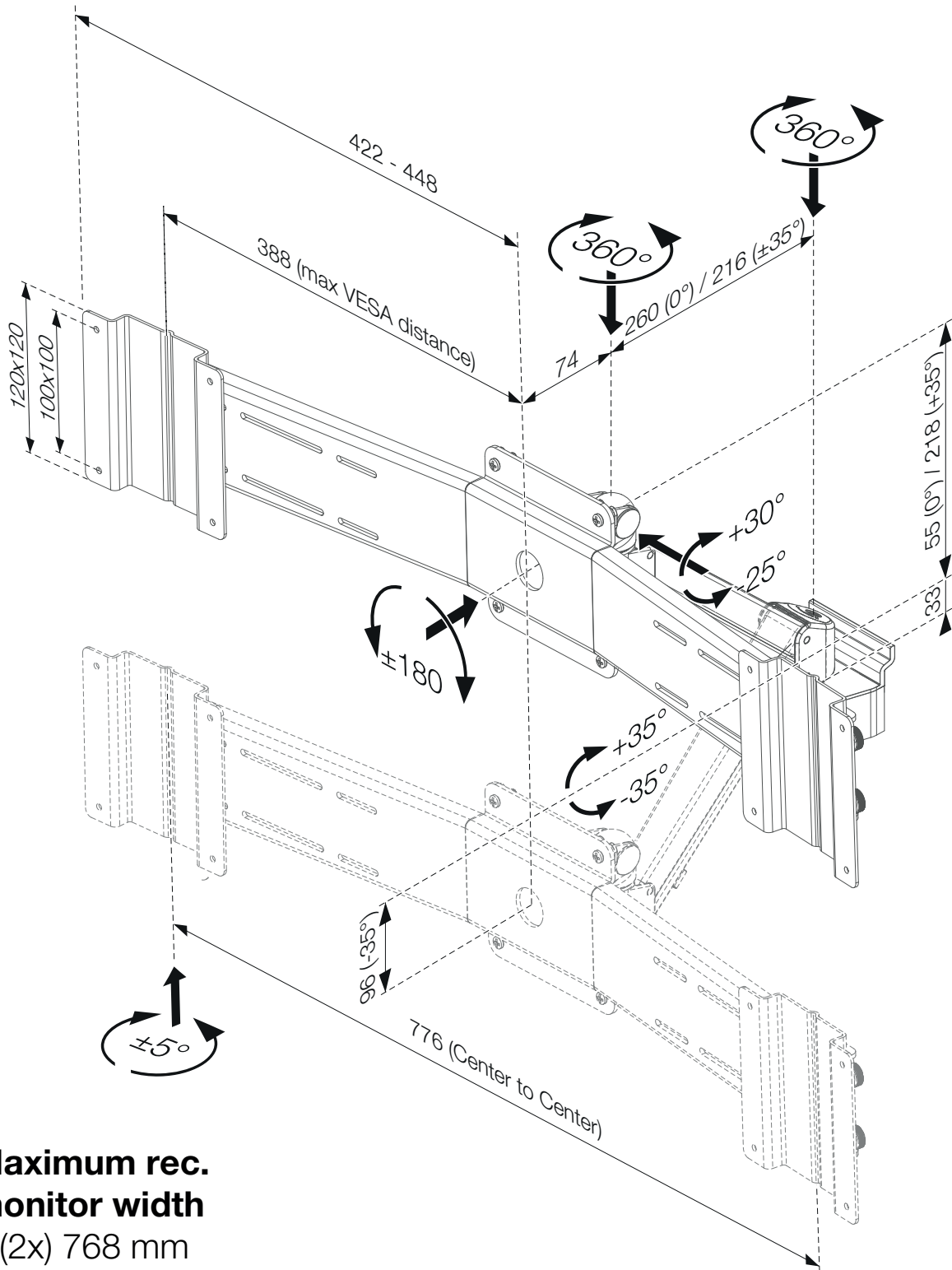




- 438-LC59
- 438-LC59W
- 438-LC59B

Monitor Arm STOCKHOLM Toolbar Duo 2 × 6 kg, Gas Spring

Oriented View



**Maximum rec.
monitor width**
• (2x) 768 mm



- 438-LC59
- 438-LC59W
- 438-LC59B

Monitor Arm STOCKHOLM Toolbar Duo 2 × 6 kg, Gas Spring

Oriented View (Conceptum Bracket)

