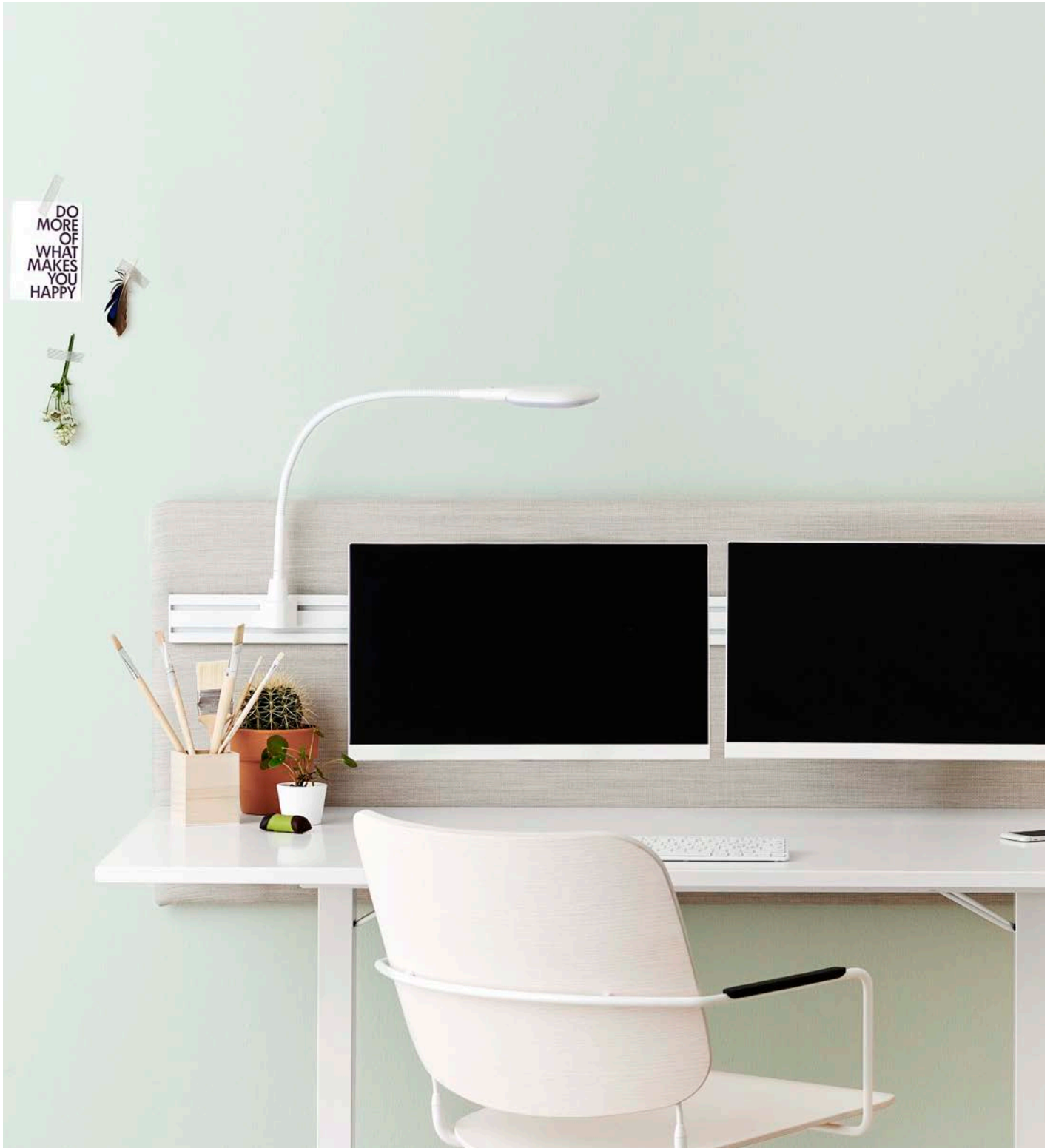
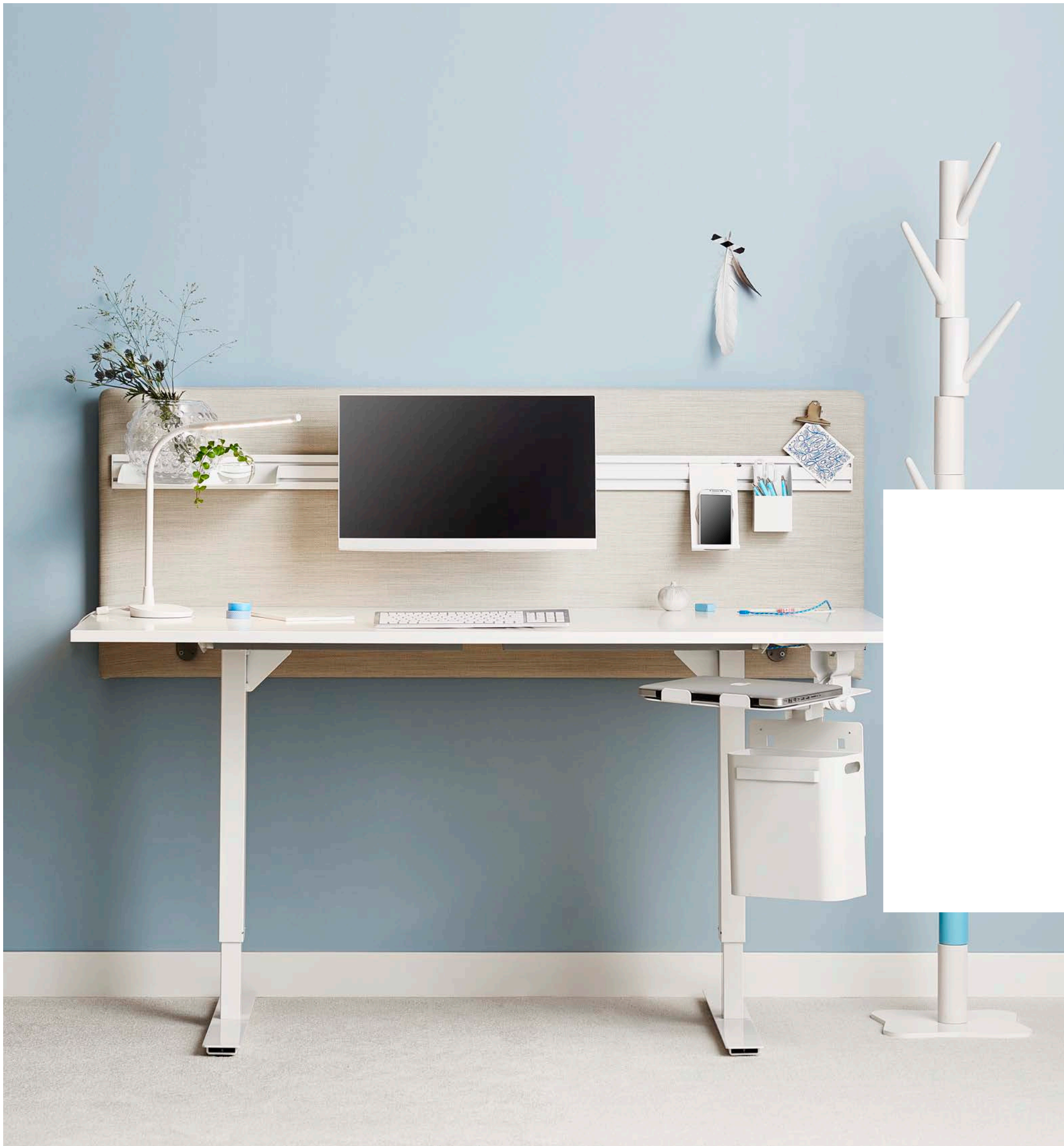


# Conceptum Toolbar

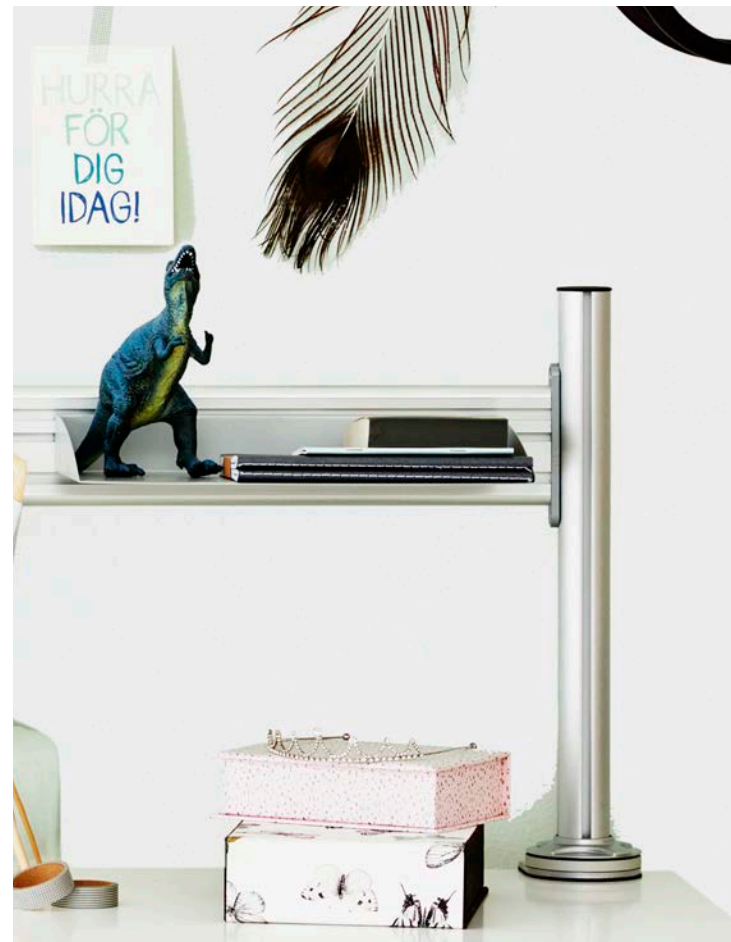
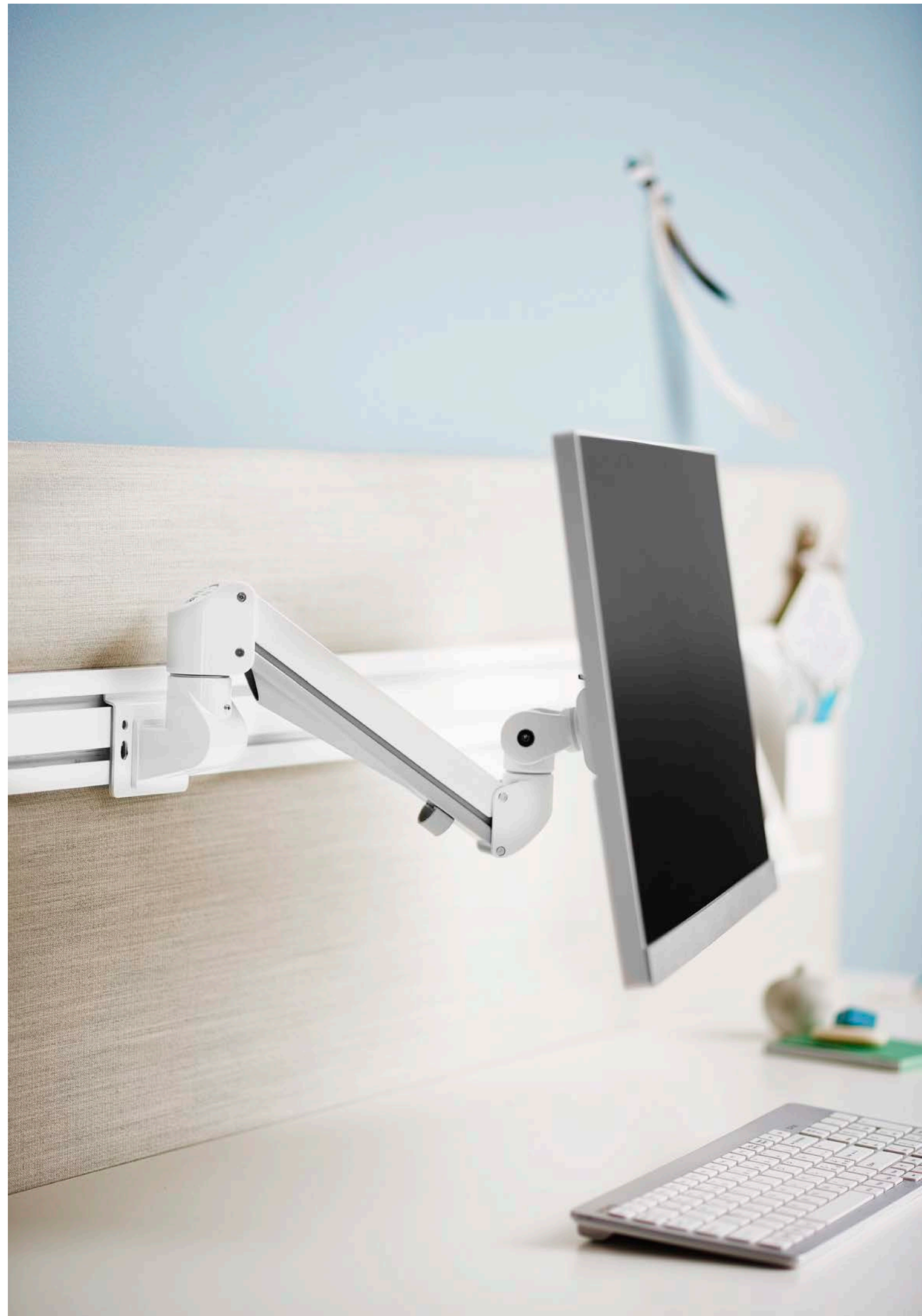




# CONCEPTUM

Conceptum is a complete toolbar concept above the tabletop. The core is a stable toolbar rail for desk or wall mounting which can be complemented with a variety of accessories. A flexible concept which allows unique possibilities for adapting to every workplace.









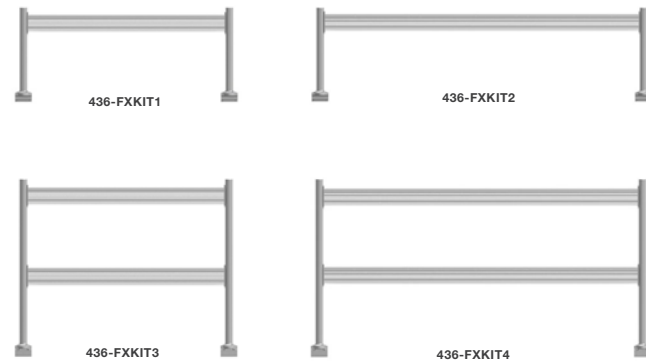
## TOOLBAR STAND-ALONE PROFILE

A freestanding pole structure, which can be built to fit your needs.



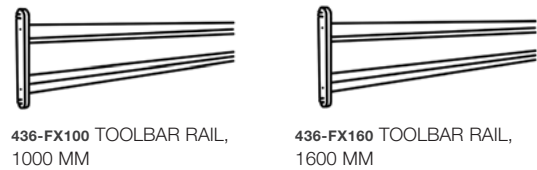
### Ready "all inclusive" kits

- 436-FXKIT1 TOOLBAR, SINGLE RAIL INCL RODS AND BRACKETS, 1000 MM
- 436-FXKIT2 TOOLBAR, SINGLE RAIL INCL RODS AND BRACKETS, 1600 MM



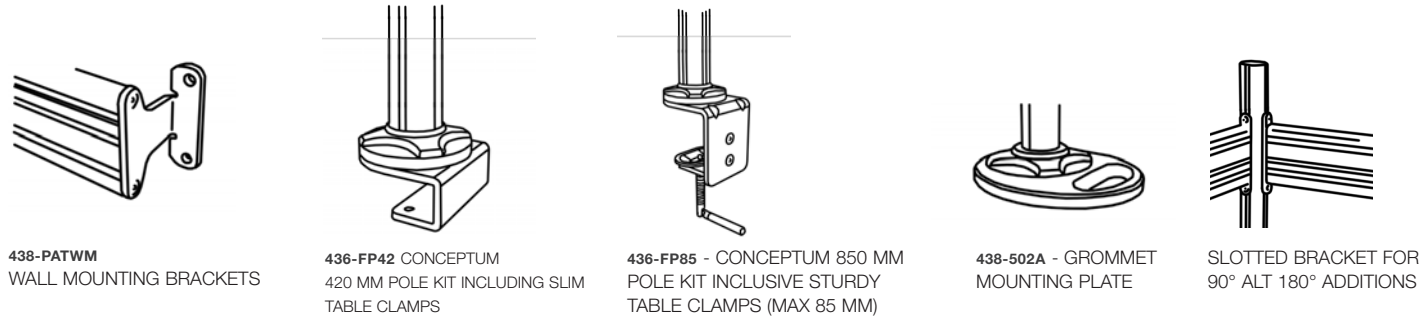
- 436-FXKIT3 TOOLBAR, DOUBLE RAIL INCL RODS AND BRACKETS, 1000 MM
- 436-FXKIT4 TOOLBAR, DOUBLE RAIL INCL RODS AND BRACKETS, 1600 MM

### Custom made assembly



436-FX100 TOOLBAR RAIL,  
1000 MM

436-FX160 TOOLBAR RAIL,  
1600 MM



438-PATWM  
WALL MOUNTING BRACKETS

436-FP42 CONCEPTUM  
420 MM POLE KIT INCLUDING SLIM  
TABLE CLAMPS

436-FP85 - CONCEPTUM 850 MM  
POLE KIT INCLUSIVE STURDY  
TABLE CLAMPS (MAX 85 MM)

438-502A - GROMMET  
MOUNTING PLATE

SLOTTED BRACKET FOR  
90° ALT 180° ADDITIONS

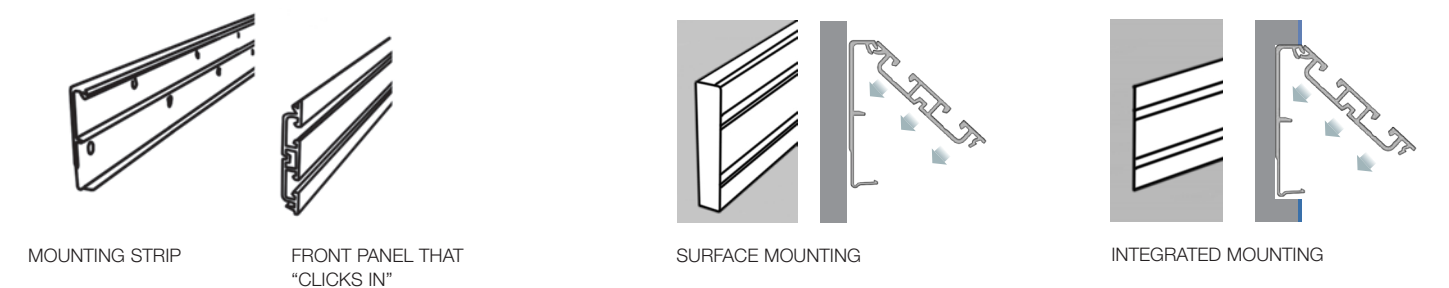


## TOOLBAR DESK SCREEN PROFILE

Toolbar for surface or integrated mounting in desk screens.  
Easy to install. Well concealed screw holes.



- 436-MX115 ■ CONCEPTUM M-PROFILE, ANODISED, 1150 MM
- 436-MX135 ■ CONCEPTUM M-PROFILE, ANODISED, 1350 MM
- 436-MX155 ■ CONCEPTUM M-PROFILE, ANODISED, 1550 MM
- 436-MX175 ■ CONCEPTUM M-PROFILE, ANODISED, 1750 MM
- 436-MX195 ■ CONCEPTUM M-PROFILE, ANODISED, 1950 MM
- 436-MENE ■ CONCEPTUM M-PROFILE, END PIECE, 2 PCS
  
- 436-MX115W □ CONCEPTUM M-PROFILE, WHITE, 1150 MM
- 436-MX135W □ CONCEPTUM M-PROFILE, WHITE, 1350 MM
- 436-MX155W □ CONCEPTUM M-PROFILE, WHITE, 1550 MM
- 436-MX175W □ CONCEPTUM M-PROFILE, WHITE, 1750 MM
- 436-MX195W □ CONCEPTUM M-PROFILE, WHITE, 1950 MM
- 436-MENEW □ CONCEPTUM M-PROFILE, END PIECE, 2 PCS



MOUNTING STRIP

FRONT PANEL THAT  
'CLICKS IN'

SURFACE MOUNTING

INTEGRATED MOUNTING

# CONCEPTUM STORAGE



Convenient storage with a neutral design.  
Made of metal and powder coated in silver or white.



**436-C101W** □ SHELF C5, WHITE  
**436-C101A** ■ SHELF C5, SILVER  
DIMENSIONS 222 x 166 MM



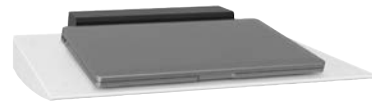
**436-C104W** □ SHELF C4, WHITE  
**436-C104A** ■ SHELF C4, SILVER  
DIMENSIONS 327 x 221 MM



**436-C103W** □ BINDER AND BOOK SHELF, WHITE  
**436-C103A** ■ BINDER AND BOOK SHELF, SILVER  
DIMENSIONS 270 x 255 x 200 MM



**436-C124W** □ SORTING TRAY, WHITE  
**436-C124A** ■ SORTING TRAY, SILVER  
3 PCS C4 SHELVES INCLUDED  
DIMENSIONS 327 x 221



**436-C105W** □ LAPTOP-SHELF, WHITE  
**436-C105A** ■ LAPTOP-SHELF, SILVER  
DIMENSIONS 390 x 320 MM  
**436-C107W** □ LAPTOP-SHELF, WHITE  
**436-C107A** ■ LAPTOP-SHELF, SILVER  
DIMENSIONS 400 x 400 MM



**436-C106W** □ PEN AND GADGET HOLDER, WHITE  
**436-C106A** ■ PEN AND GADGET HOLDER, SILVER  
DIMENSIONS 80 x 50 x 140 MM



**436-C110** WHITEBOARD, WHITE/ALU  
INCL. PEN SHELF  
DIMENSIONS 165 x 225 MM



**436-C130W** □ LAPTOP POCKET, WHITE  
**436-C130A** ■ LAPTOP POCKET, SILVER  
FITS COMPUTER MAX 30 MM  
DIMENSIONS 280 x 138 MM



**436-C140W** □ REPLICATOR HOLDER, WHITE  
**436-C140A** ■ REPLICATOR HOLDER, SILVER  
DIMENSIONS 150 x 136 MM



**436-C170W** □ HEADSET HOLDER, WHITE  
**436-C170A** ■ HEADSET HOLDER, SILVER  
DIMENSIONS 52 x 53 MM



**436-C160W** □ SMARTPHONE HOLDER, WHITE  
**436-C160A** ■ SMARTPHONE HOLDER, SILVER  
DIMENSIONS 100 x 166 MM



**436-CQ6W** □ SMARTPHONE HOLDER, WHITE  
INCL. WIRELESS QI-CHARGER  
**436-CQ6A** ■ SMARTPHONE HOLDER, SILVER  
INCL. WIRELESS QI-CHARGER  
DIMENSIONS 100 x 166 MM

# CONCEPTUM MONITOR ARMS



We have numerous options for hanging your monitor(s) on the Conceptum toolbar.



**438-L16P** ■ MONITOR ARM, 1-JOINT, SILVER  
LENGTH 96 MM



**438-L17P** ■ MONITOR ARM, 2-JOINTS, SILVER  
LENGTH 137 MM



**438-L18PW** □ MONITOR ARM, 3-JOINTS, WHITE  
**438-L18P** ■ MONITOR ARM, 3-JOINTS, SILVER  
LENGTH 249 MM



**438-LC17W** □ MONITOR ARM, 2-JOINTS, WHITE  
**438-LC17** ■ MONITOR ARM, 2-JOINTS, SILVER  
LENGTH 143 MM



**438-LC18W** □ MONITOR ARM, 3-JOINTS, WHITE  
**438-LC18** ■ MONITOR ARM, 3-JOINTS, SILVER  
LENGTH 323 MM



**438-60T6W** □ MONITOR SLIDER, WHITE  
**438-60T6** ■ MONITOR SLIDER, SILVER  
FOR MONITOR 3-5 KG  
**438-60T8W** □ MONITOR SLIDER, WHITE  
**438-60T8** ■ MONITOR SLIDER, SILVER  
FOR MONITOR 5-7 KG  
GAS SPRING MONITOR SLIDER, VERTICAL ADJUSTMENT



**438-LC55W** □ MONITOR ARM, GAS SPRING, 3-JOINTS, WHITE  
**438-LC55** ■ MONITOR ARM, GAS SPRING, 3-JOINTS, SILVER  
LENGTH 300 MM. LOAD 3-8 KG.



**438-LB15W** □ DUO-BAR FOR TWO MONITORS, WHITE  
**438-LC15** ■ DUO-BAR FOR TWO MONITORS, SILVER  
**438-LC15B** ■ DUO-BAR FOR TWO MONITORS, BLACK  
MAX MONITOR c/c 742 MM



**438-LC59W** □ MONITOR ARM, GAS S., DUO-BAR, WHITE  
**438-LC59** ■ MONITOR ARM, GAS S., DUO-BAR, SILVER  
**438-LC59B** ■ MONITOR ARM, GAS S., DUO-BAR, BLACK  
LOAD 7-14 KG. MAX MONITOR c/c 742 MM



**438-LC56W** □ MONITOR ARM, GAS SPRING, 3-JOINTS, WHITE  
**438-LC56** ■ MONITOR ARM, GAS SPRING, 3-JOINTS, SILVER  
**438-LC56B** ■ MONITOR ARM, GAS SPRING, 3-JOINTS, BLACK  
LENGTH 300 MM. LOAD 8-15 KG.

# CONCEPTUM LIGHTING

Do not let the lamp take up a large part of the desk. You save space with the use of Conceptum LED lighting, with good lighting.



**810-T45H** □ LED LIGHTING INCL. BRACKET, WHITE  
**810-T45HG** ■ LED LIGHTING INCL. BRACKET, GREY  
FOR SPECIFICATIONS, SEE PAGE 32 (810-D40H)



Kondator AB  
P.O. Box 121  
S-135 23 Tyresö  
SWEDEN

Visiting address  
Energivägen 8  
S-135 49 Tyresö  
SWEDEN

Telephone +46-8-556 595 00

web [www.kondator.se](http://www.kondator.se)  
e-mail [info@kondator.se](mailto:info@kondator.se)

Org no 556500-1947



Kondator values our environment and our Management System is Certified by Intertek according to ISO14001, Certificate 1417792



Kondator is associated to FTI - the Packaging and Newspaper Collection Service and El-Kretsen for active recycling of packaging material and electronic devices.