

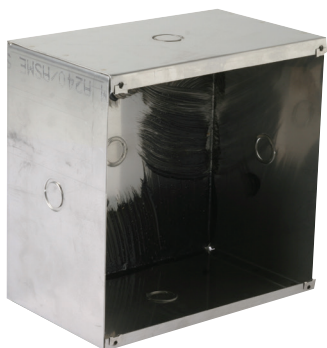


# Enclosures for IP Speakers

## SEA, SEST, FEST Series Enclosures



**SEA Series**



**FEST Series**



**SEST Series**

### General Description

#### SEA-I8S

Slanted surface mount enclosure is designed for use only with Atlas Sound loudspeaker system models I8S and I8SM. The slope front design allows for directional sound dispersion. The enclosure is constructed of 20-gauge CRS and finished in textured white epoxy.

#### SEST-I8S

Straight surface mount enclosure is designed for use only with Atlas Sound loudspeaker system models I8S and I8SM. The unit provides an architecturally pleasing appearance with crisp lines that blend well with most building interiors. The enclosure is constructed of 20-gauge CRS and finished in textured white epoxy.

#### FEST-I8S

Flush mount enclosure is designed for use only with Atlas Sound loudspeaker system models I8S and I8SM. The unit includes a slot style mounting system to accommodate almost any material thickness. The enclosure is constructed of 20-gauge CRS and finished in reclaimed powder coat finish.

#### SEA-I8SC

Slanted surface mount enclosure is designed for use only with Atlas Sound loudspeaker system models I8SC and I8SCM. The slope front design allows for directional sound dispersion. The enclosure is constructed of 20-gauge CRS and finished in textured white epoxy.

#### SEST-I8SC

Straight surface mount enclosure is designed for use only with Atlas Sound loudspeaker system models I8SC and I8SCM. The unit provides an architecturally pleasing appearance with crisp lines that blend well with most building interiors. The enclosure is constructed of 20-gauge CRS and finished in reclaimed powder coat finish.

#### FEST-I8SC

Flush mount enclosure is designed for use only with Atlas Sound loudspeaker system models I8SC, I8SCH, and I8SCM. The unit includes a slot style mounting system to accommodate most any material thickness. The enclosure is constructed of 20-gauge CRS and finished in textured white epoxy.

#### SEST-IH

Straight surface mount stainless steel enclosure is designed for use only with Atlas Sound loudspeaker system model IHVP. The enclosure is constructed of 18-gauge stainless steel and finished in textured white epoxy.

#### FEST-IH

Flush mount stainless steel enclosure is designed for use only with Atlas Sound loudspeaker system model IHVP. External mounting wings allow for easy installation into stud material. The enclosure is constructed of 18-gauge stainless steel.

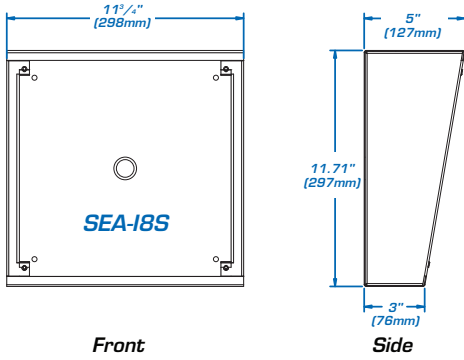
### Features

- Enclosures Specifically Designed for Optimum Performance and Installation Ease with Atlas Sound IP Compliant Loudspeaker Systems
- Choice of Surface Mount (Straight or Slant Front Styling on I8S and I8SC Enclosures) or Flush Mount Models

### Applications

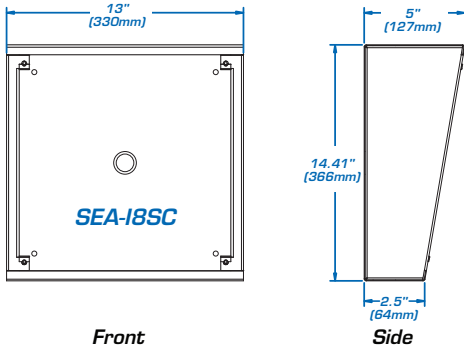
Install Atlas Sound IP loudspeaker enclosures wherever requirements call for model I8S, I8SM, I8SC, I8SCM, or IHVP loudspeaker, baffle, and PCB amplifier control board systems. Units are particularly suited for use in classrooms, cafeterias, convention, and medical facilities.

©2014 Atlas Sound L.P. All rights reserved. Atlas Sound is a trademark of Atlas Sound L.P. All other trademarks are the property of their respective owners. ATS002382 RevC 5/14



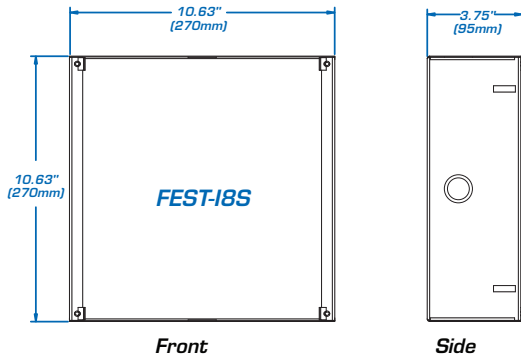
Front

Side



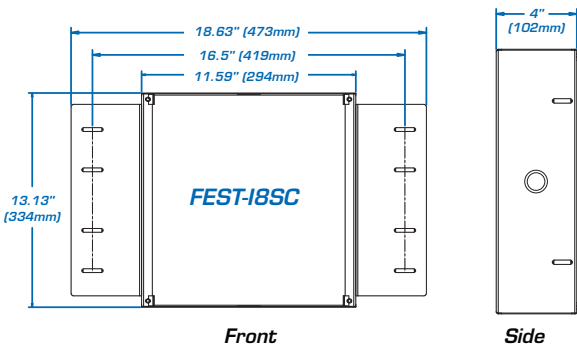
Front

Side



Front

Side

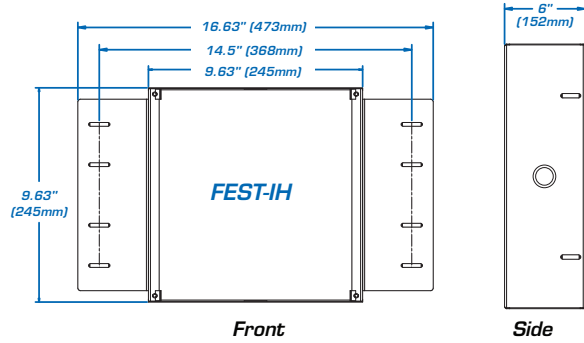


Front

Side

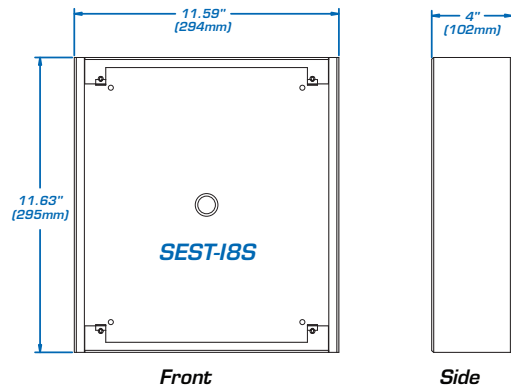
## Architect & Engineer Specifications

The metal enclosure shall be Atlas Sound Model \_\_\_\_\_ or approved equal designed specifically to match with Atlas Sound loudspeaker baffle package \_\_\_\_\_. Enclosure shall be of welded 20-gauge CRS or 18-gauge stainless steel construction as specified.



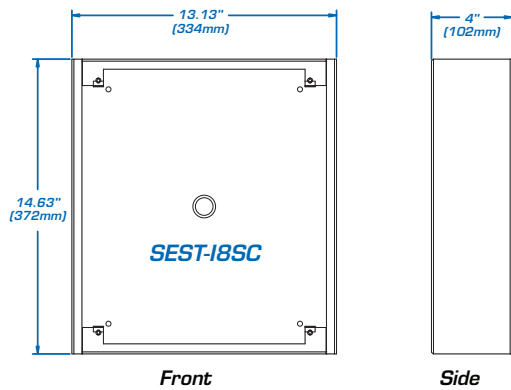
Front

Side



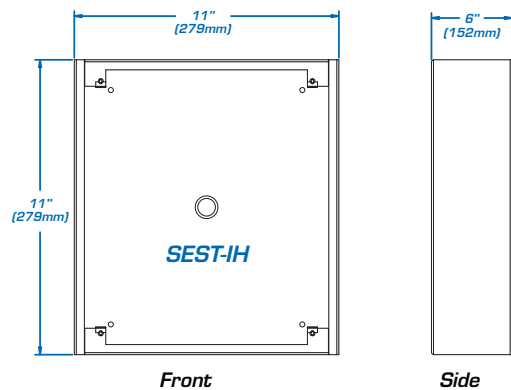
Front

Side



Front

Side



Front

Side